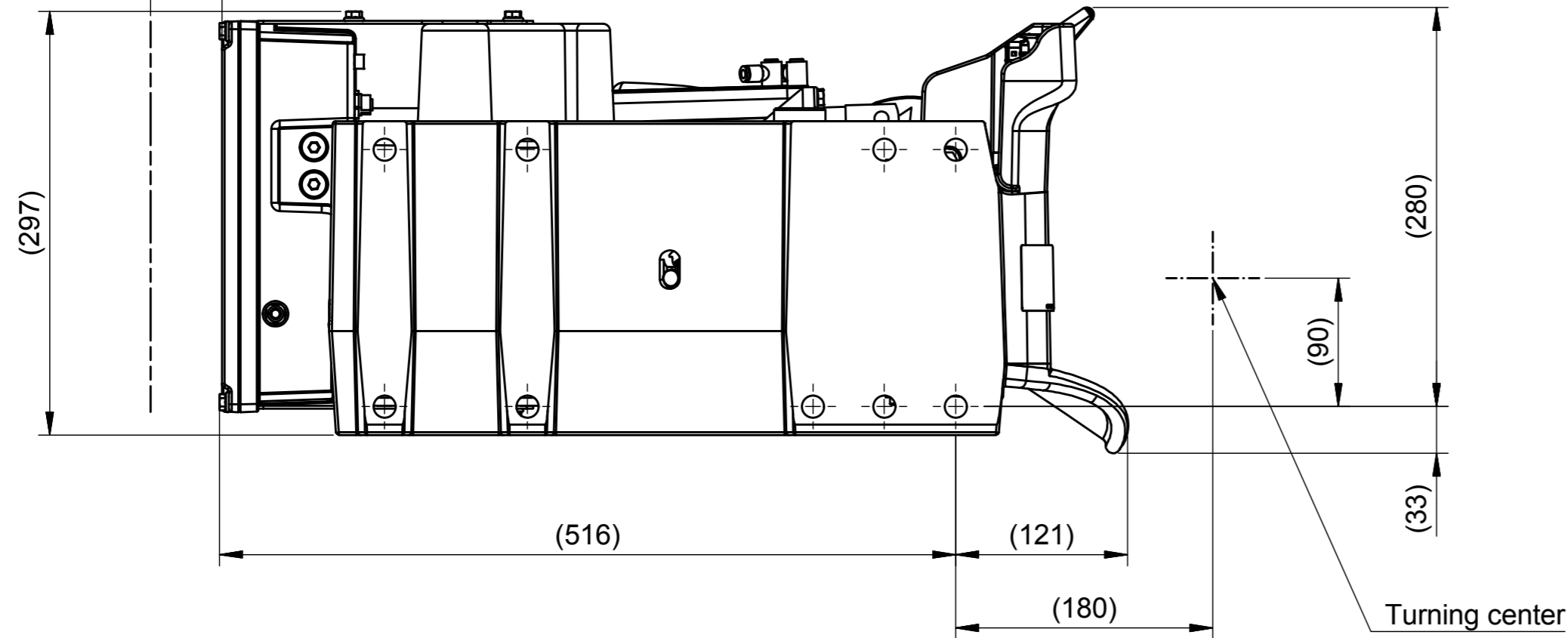


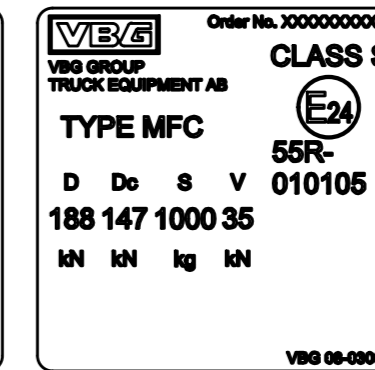
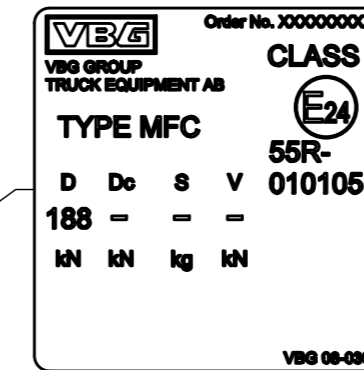
Min. clearance 50



**Type plate MFC standard**

Old version

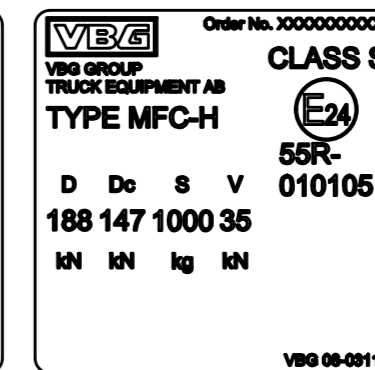
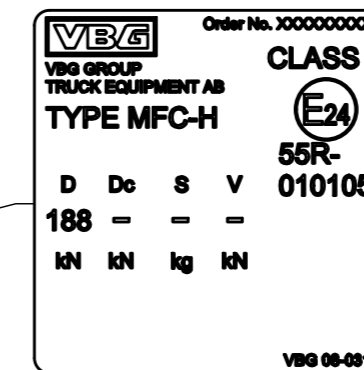
Current version



**Type plate MFC hydraulic**

Old version

Current version



Weight (coupling only):

MFC standard: 107 kg

MFC hydraulic (including valve plate and accumulator): 126 kg

<b>VBG GROUP</b>	Modified Date	2015-06-02	Modified by	HB	Modification No.	12570	Issue	9	
	3D Model No.	08-031100			Engineer	AT	Checked by		
	Description	MFC, standard / hydraulic							
	Sheet Size	A2	Scale	1:4	Projection		Drafting Date	2008-05-09	Drafted by
Stage	P	Drawing No.	08-030000 (F) INFO						
This drawing is the property of VBG Group AB and is protected in accordance with prevailing law. Changes must be made in CAD-program, this concerns both 2D & 3D.									

