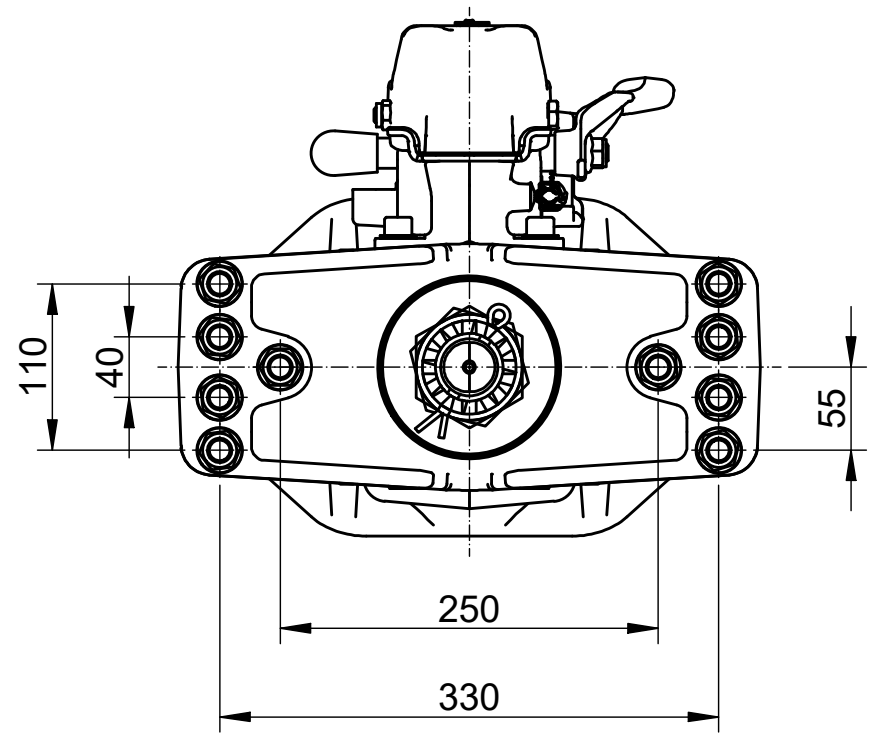
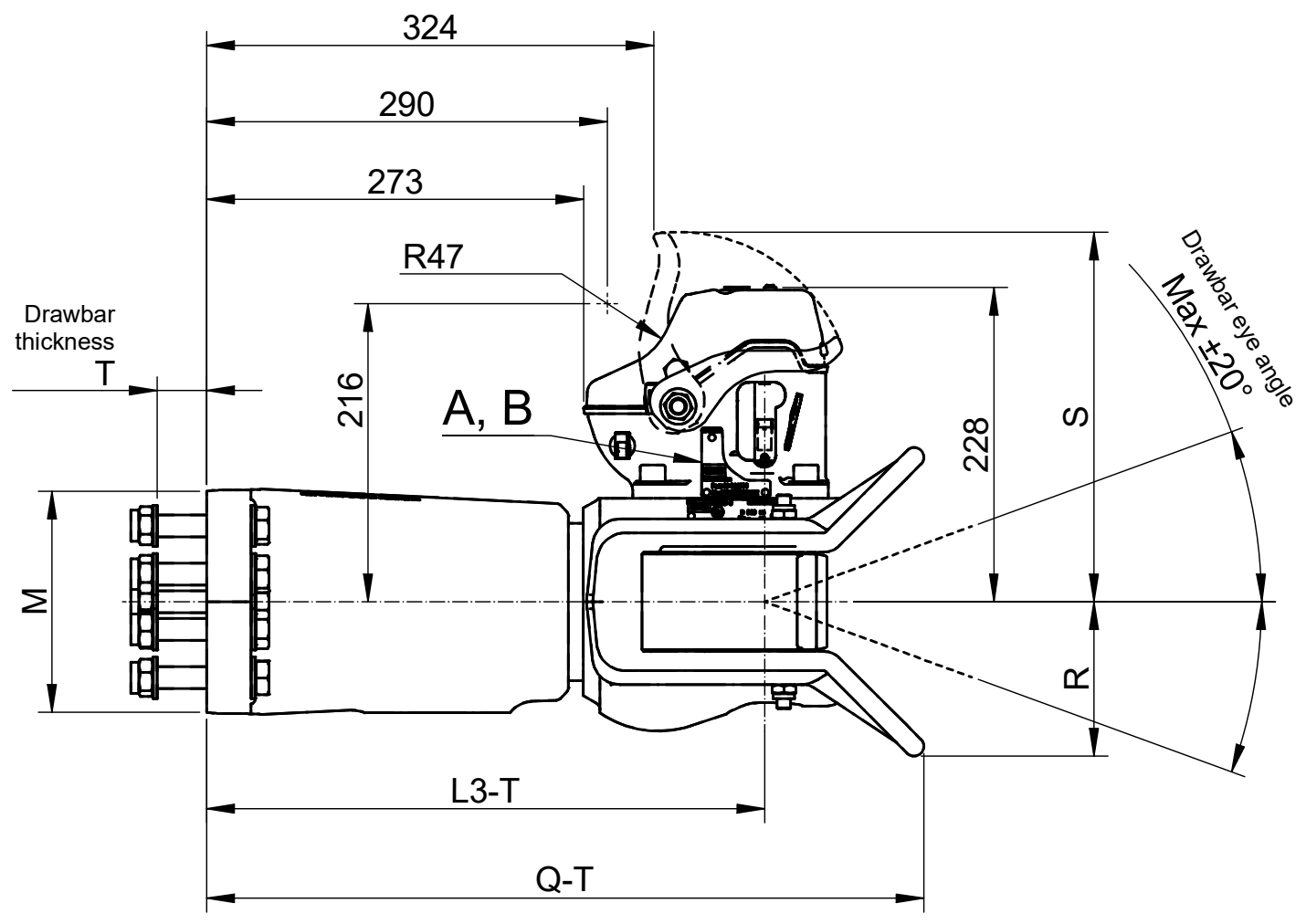


D

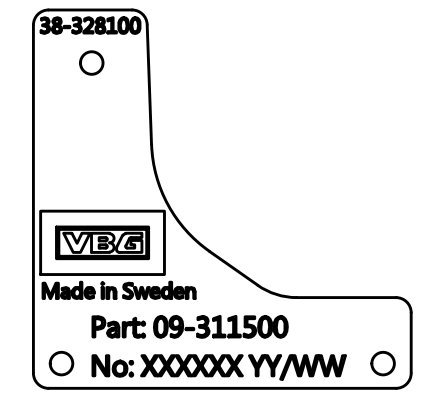
C

B

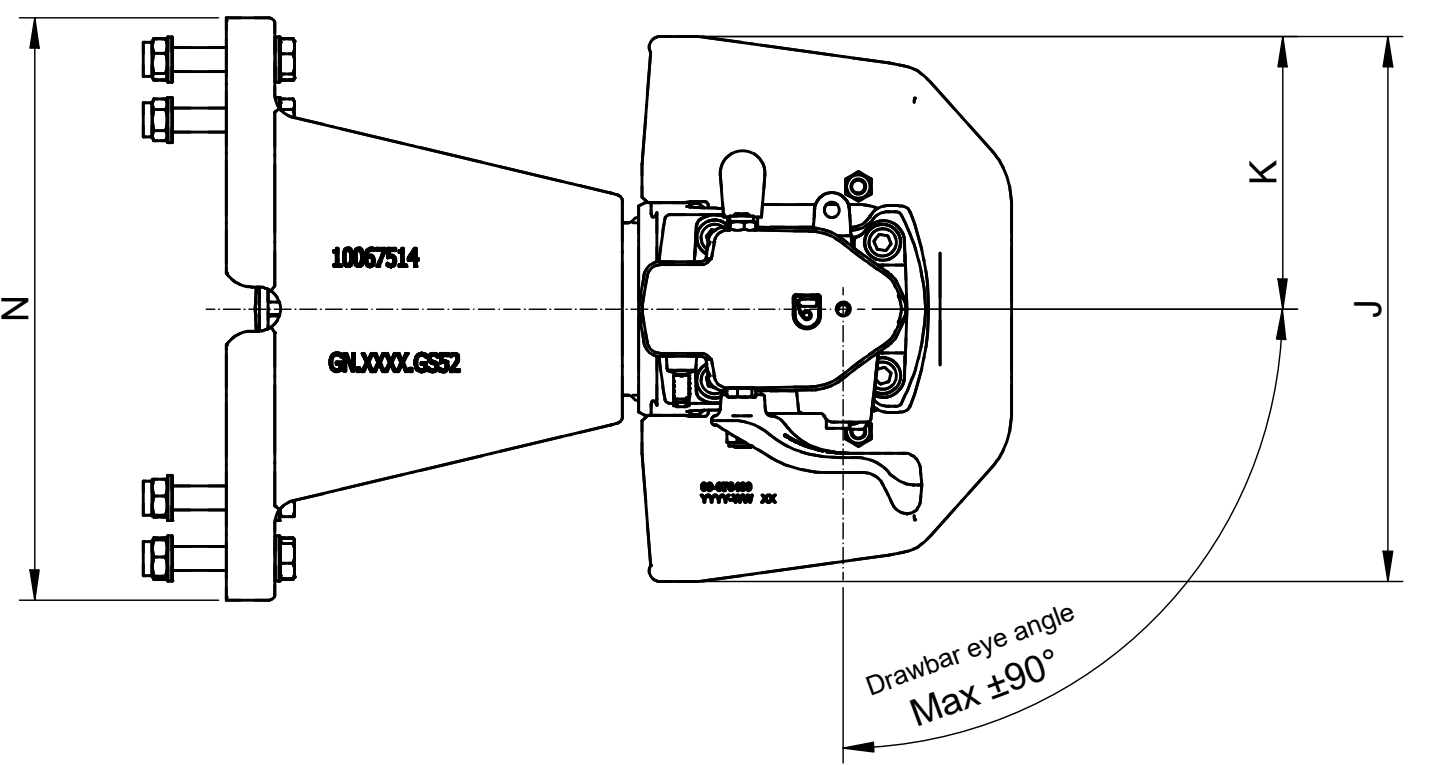
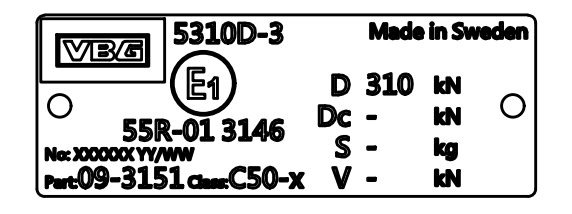
A



A, mechanism identification plate



B, identification plate



Coupling compatible with Ø50 drawbar eyes according to standard ISO 1102 and DIN 74053

Dimensions for information only. Tolerance ±10mm.

Dimension	Actual measure
M	163
N	385
P	-
Q-T	519
R	112
S	268
T	16-30
J	360
K	180
L3-T	404



**VBG GROUP**

Description  
VBG 5310D-3 S/S

Modified Date	2020-10-27	Modified by	HB	Modification No.	13001	Issue	a		
3D Model No.	09-315100			Engineer	HB				
Sheet Size	A3	Scale	1:5	Projection		Drafting Date	2020-10-27		
Stage	P	Drawing No.	09-315100 (F) INFO					Drafted by	HB

This drawing is the property of VBG Group AB and is protected in accordance with prevailing law. Changes must be made in CAD-program, this concerns both 2D & 3D.