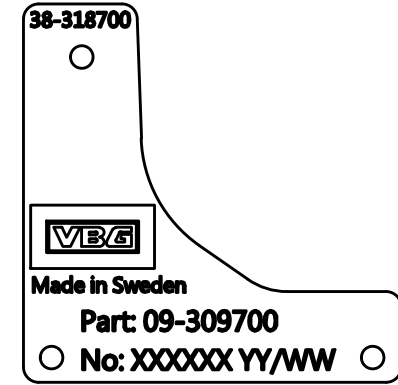
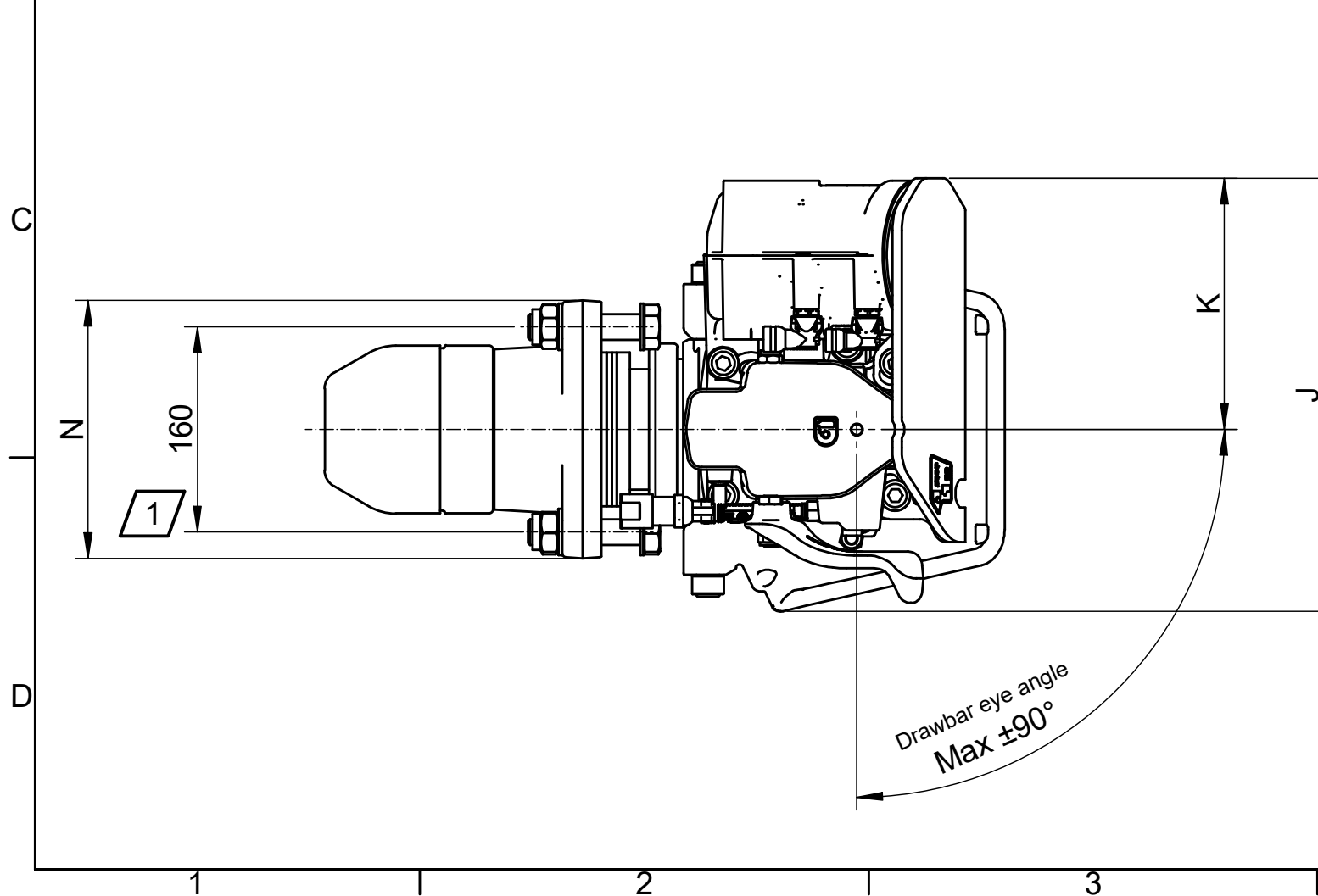
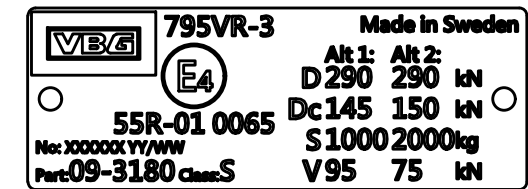


A, mechanism identification plate



B, identification plate



- 1 Mounting dimensions acc. to SS 550000-1 category 5 and ISO 3584 category 5-7
- 2 Coupling compatible with Ø57 drawbar eyes according to standard SS 550100-2

Dimensions acc to standard  
SS 550000-1 category 5  
SS 550100-1 C57

Dimension	Actual measure
M	139
N	202
P	216
Q	314
R	102
S	268
T	16-30
J	338
K	196
L3	195

Measures for information only.  
Tolerance ±10mm.

## VBG GROUP

Description <b>VBG 795VR-3 PA S/S</b>	Modified Date	Modified by	Modification No.	Issue
	2020-10-27	HB	13001	a
	3D Model No.			Engineer
	09-318000			HB
	Sheet Size	Scale	Projection	Drafting Date
	A3	1:5		2020-10-27
	Stage	Drawing No.		
	P	09-318000 (F) INFO		
This drawing is the property of VBG Group AB and is protected in accordance with prevailing law. Changes must be made in CAD-program, this concerns both 2D & 3D.				