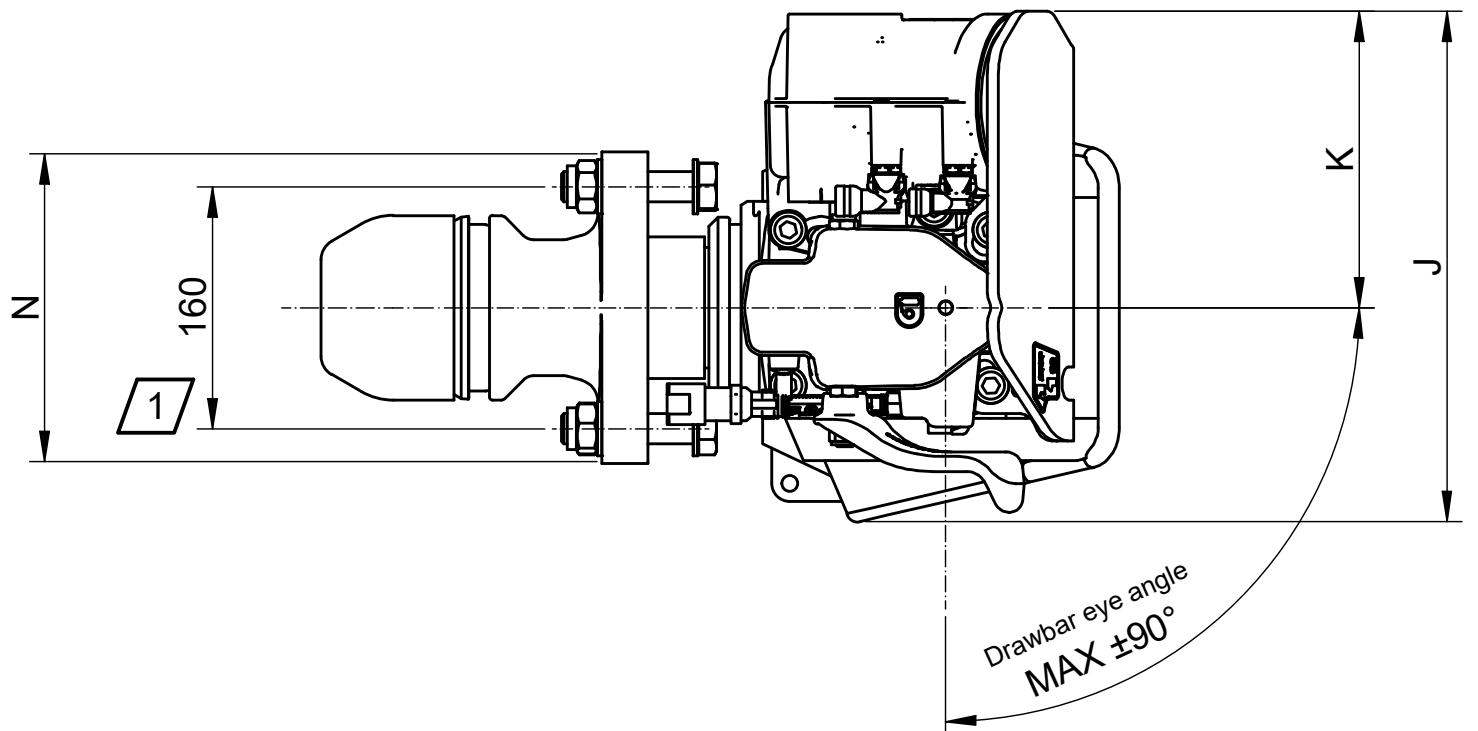
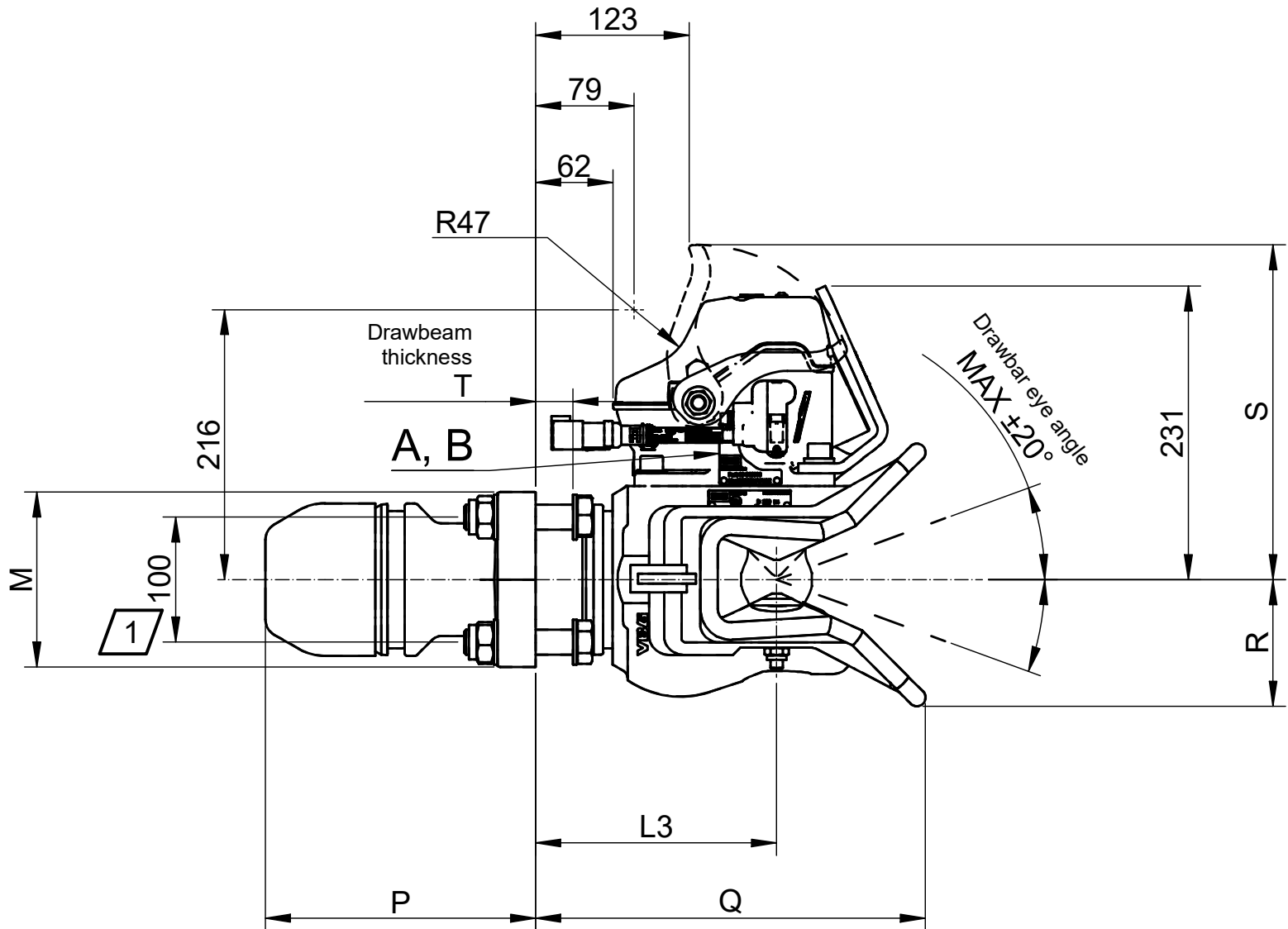


A

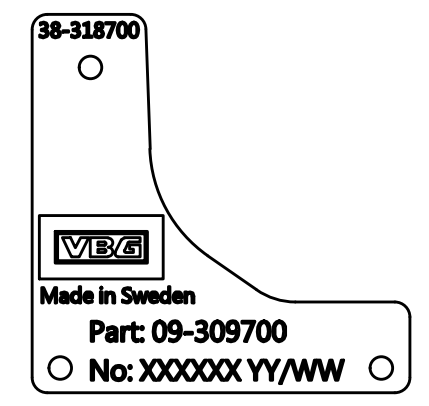
B

C

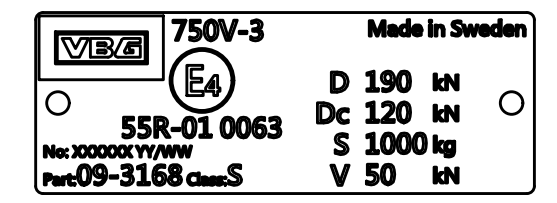
D



A, mechanism identification plate



B, identification plate



- 1 Mounting dimensions acc. to SS 550000-1 category 5 and ISO 3584 category 5-7
- 2 Coupling compatible with Ø57 drawbar eyes according to standard SS 550100-2

Acc to standard  
SS 550000-1 Category 5  
SS550100-1 C57

Dimension	Actual measure
M	139
N	199
P	214
Q	312
R	101
S	268
T	Max 35
J	337
K	196
L3	193

Measures for information only.  
Tolerance ±10mm.



**VBG GROUP**

Description  
VBG 750V-3 PA S/S

Modified Date	Modified by	Modification No.	Issue
2020-10-27	HB	13001	a
3D Model No.			Engineer
09-316800			JL
Sheet Size	Scale	Projection	Drafting Date
A3	1:5		2020-10-27
Stage	Drawing No.		
P	09-316800 (F) INFO		

This drawing is the property of VBG Group AB and is protected in accordance with prevailing law. Changes must be made in CAD-program, this concerns both 2D & 3D.