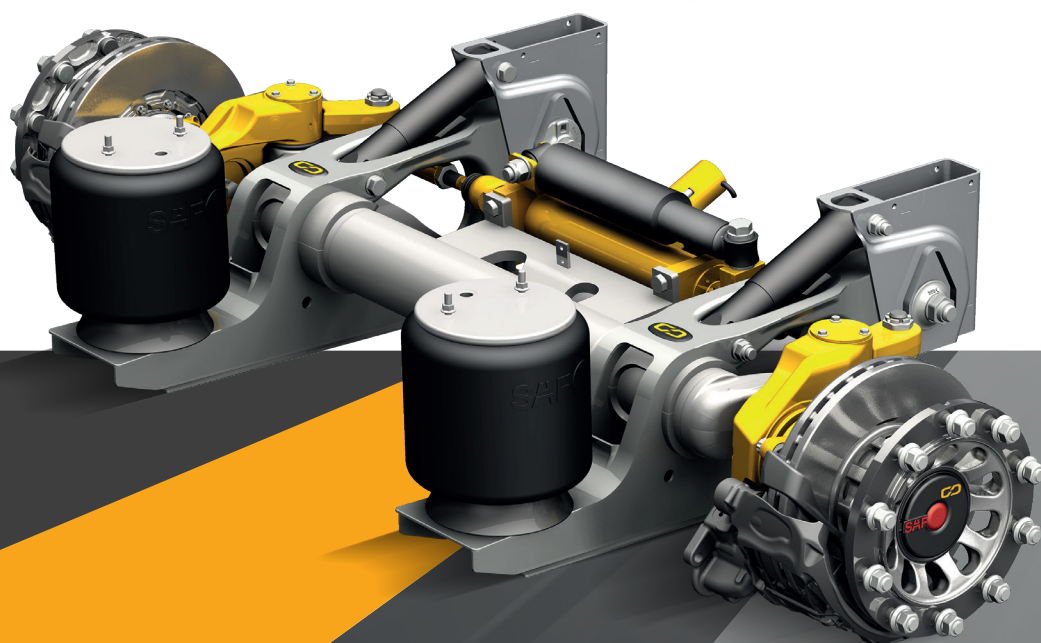
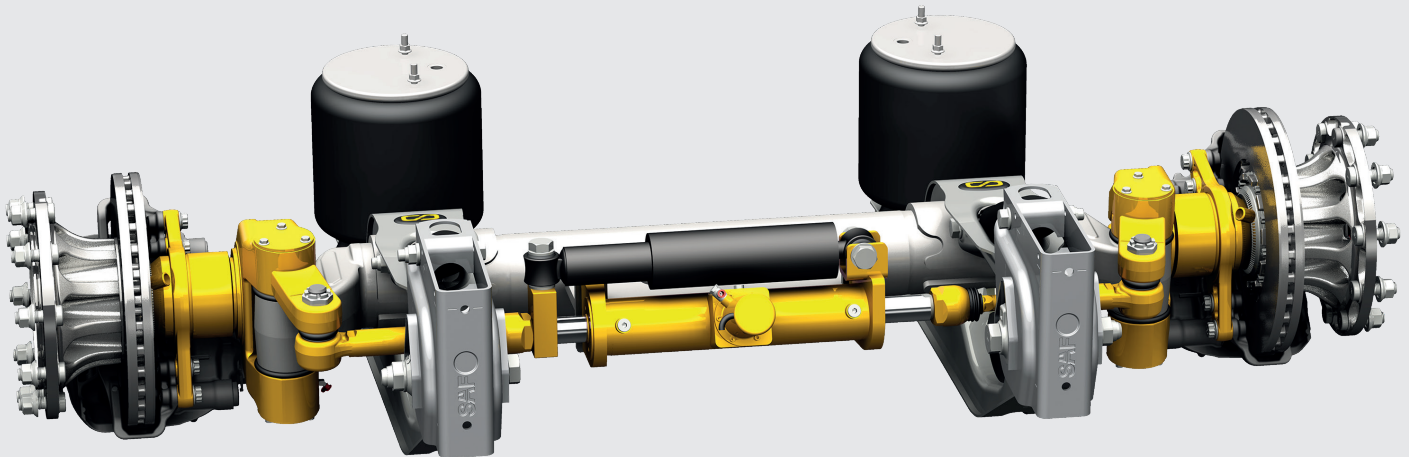


SAF INTRA Self-steering Axle

With VSE SMART STEERING



SMART ASSISTANCE STEERING TO MEET SPECIAL REQUIREMENTS FOR VEHICLES MAKING COLLECTION AND DELIVERY TRANSPORT.



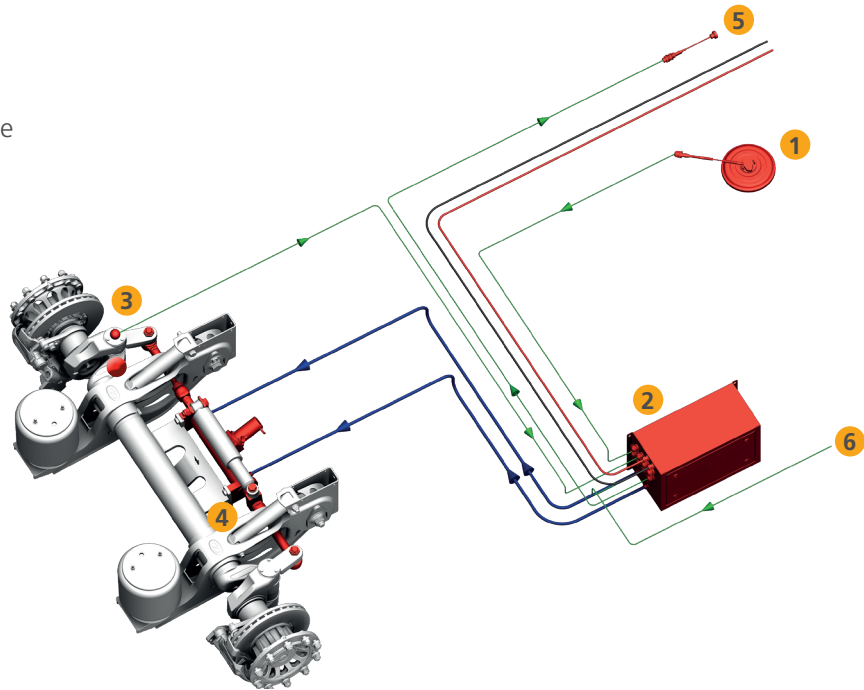
The combination of an SAF INTRA self-steering axle with 1-circuit assistance steering from VSE gives your vehicle completely new manoeuvrability when driving forwards and backwards. Within the usual steering angles of the INTRA self-steering axle, the axle behaves similarly to an active steered axle. The smart steering assistance system increases your manoeuvrability, saves on tire wear, saves fuel, saves time on manoeuvring and saves therefore on costs.

Your benefits at a glance

- Active assisted steering up to 25km/h forwards and backwards
- System weight of only around 40 kg more thanks to the integration of the tie rod and steering lock in the steering cylinder
- Reliable steering angle transmission thanks to kingpin sensor and therefore no additional need for installation space in the area of the kingpin
- Same steering angle as with standard SAF INTRA self-steering axles

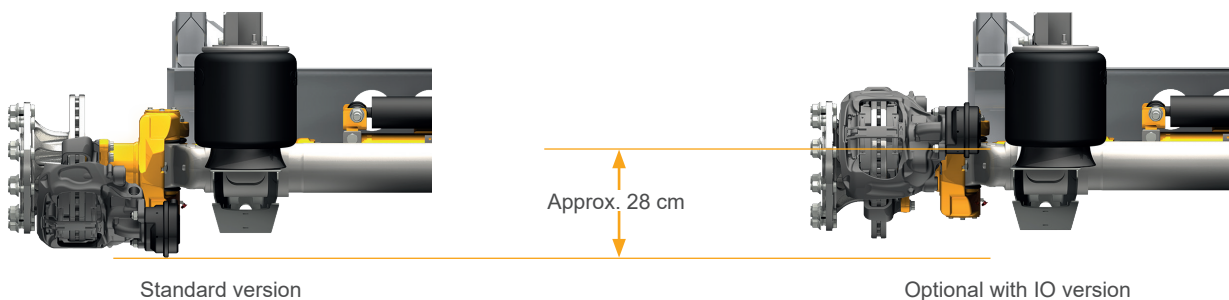
SAF INTRA SELF-STEERING AXLE WITH VSE SMART STEERING – IN DETAIL

- 1 Kingpin sensor
- 2 VSE system box
- 3 Angle sensor on the axle
- 4 Steering cylinder
- 5 Function light
- 6 EBS connection



Other versions

High ground clearance:



For trailers that also have to drive off road during daily collection and delivery transport, with the INTRA IO series it is recommended to rotate the brake caliper upwards. This gives the brake chambers the best possible protection – matching the proven brake chamber safe in the INTRA trailing arm.

- Can be supplied as INTEGRAL disc brake BIL9 and AirVent disc brake BL9 and also as drum brake SL9-4218
- Available with SAF TIRE PILOT
- Can be combined with standard hanger brackets and with cross member from the INTRA range

Engineering Your Road to Success

The SAF-HOLLAND Group is one of the leading international manufacturers of suspension-related assemblies and components for trailers, trucks and buses. Our innovative products increase the efficiency, safety and environmental friendliness of commercial vehicles, contribute to the success of our customers. With around 3,000 employees worldwide, we are at the forefront of shaping the future of the transportation industry.



Trailer Axles and
Suspension Systems



Coupling and Lifting
Technologies



Coupling and Lifting
Technologies



Trailer
Telematics



Suspensions for
Trucks and Buses



Suspensions and Components
for Commercial Vehicles



Trailer Axles and
Suspensions Systems

safholland.com

SAF-HOLLAND GmbH

Hauptstraße 26 - 63856 Bessenbach - Germany

Tel +49 6095 301-0 - info@safholland.de