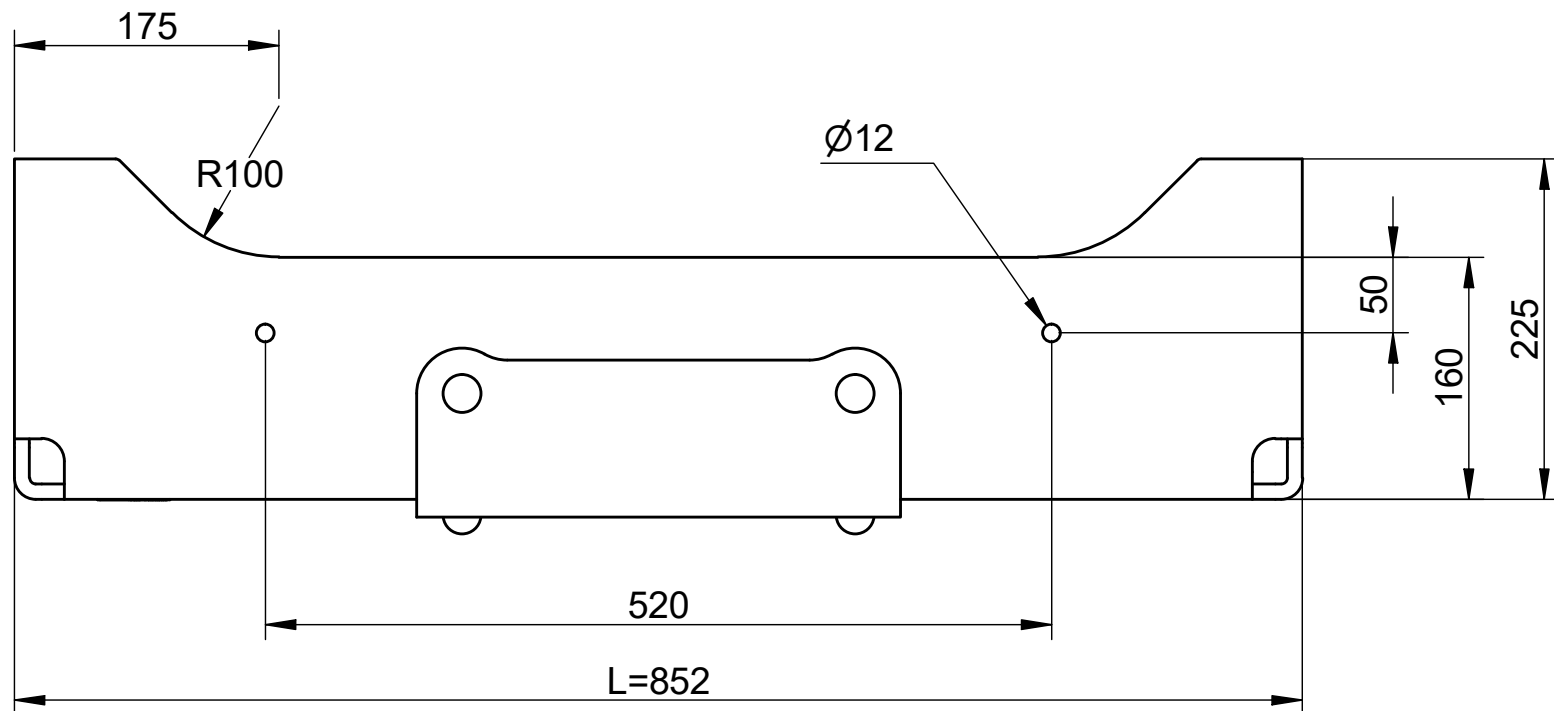
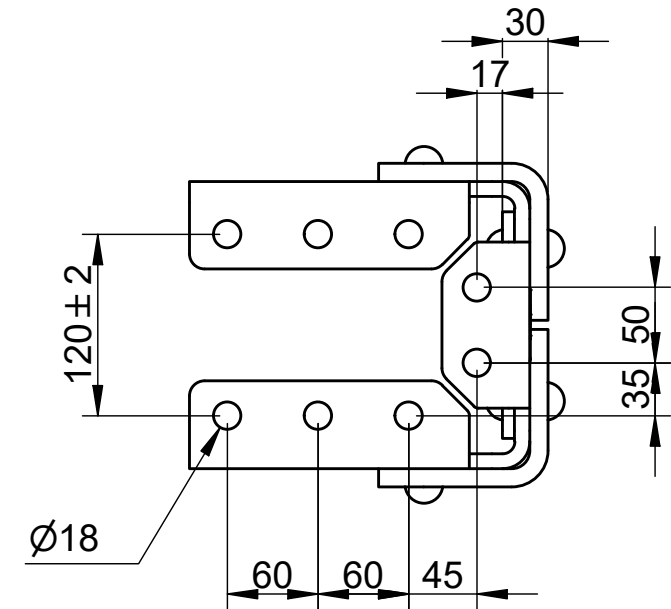
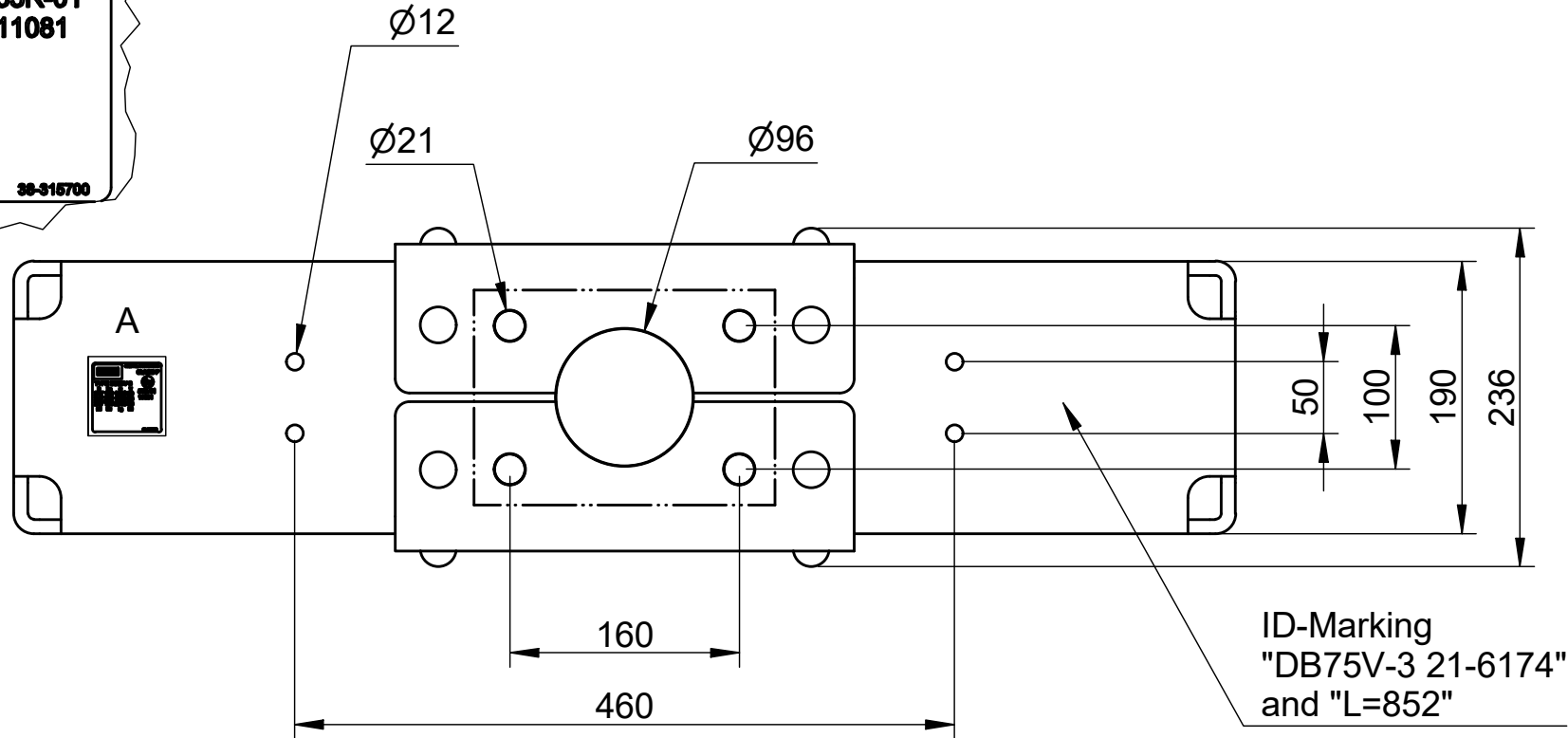


A (1:1)

Order No. X000000000X
VBG CLASS F
TYPE DB75V-3 (E11)
 D Dc S V 55R-01
 247 150 1000 80 11081
 247 200 1000 35
 247 150 2000 63
 kN kN kg kN
 30-915700



VBG GROUP

Description
 DB75V-3, L=852

Modified Date	Modified by	Modification No.	Issue
2019-10-01	PA	13351	C
3D Model No.			Engineer
21-623700			SJ
Sheet Size	Scale	Projection	Drafting Date
A3	1:5	1st Angle	2017-03-27
Stage	Drawing No.		
P	21-623700 (F) INFO		
This drawing is the property of VBG Group AB and is protected in accordance with prevailing law. Changes must be made in CAD-program, this concerns both 2D & 3D.			