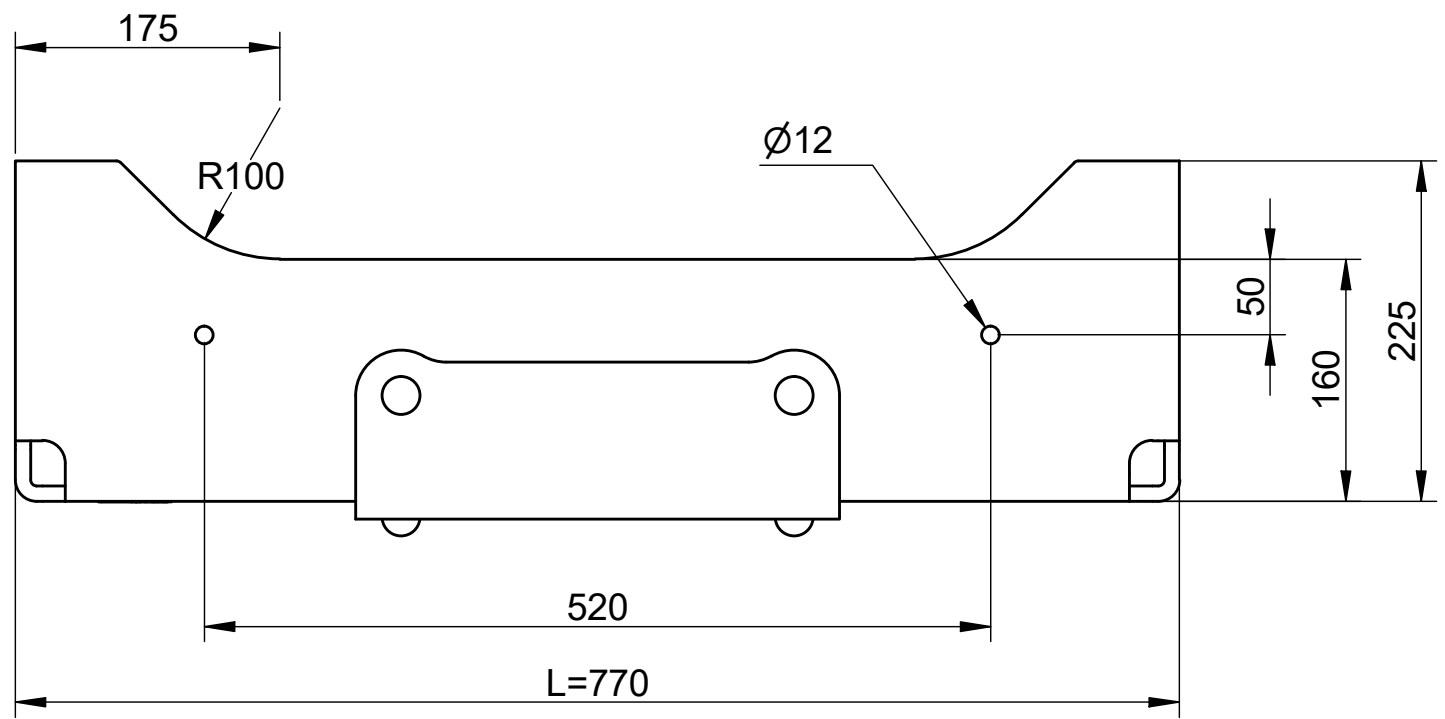
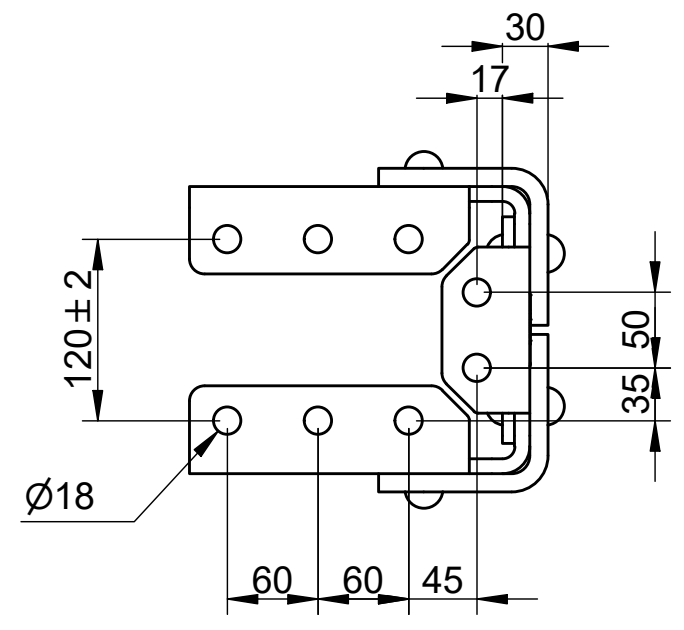
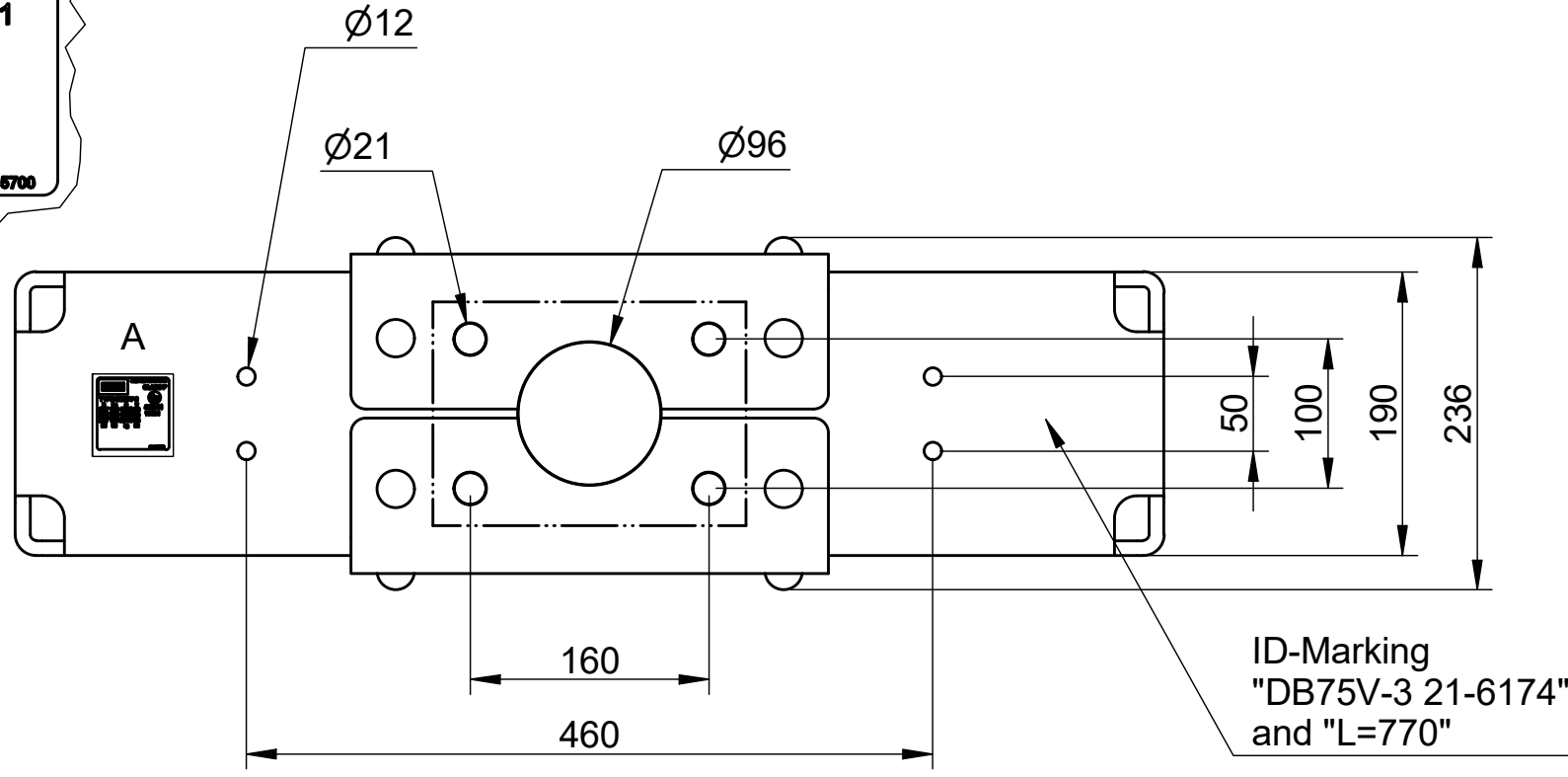


A (1:1)

Order No. X00000000X
VBG CLASS F
TYPE DB75V-3 (E11)
 D Dc S V 55R-01
 247 150 1000 80 11081
 247 200 1000 35
 247 150 2000 63
 kN kN kg kN
 38-315700



VBG GROUP

Description
 DB75V-3, L=770

Modified Date	2019-10-01	Modified by	PA	Modification No.	13351	Issue	C
3D Model No.	21-624100					Engineer	SJ
Sheet Size	A3	Scale	1:5	Projection		Drafting Date	2017-03-27
Stage	P 21-624100 (F) INFO					Drafted by	SJ
<small>This drawing is the property of VBG Group AB and is protected in accordance with prevailing law. Changes must be made in CAD-program, this concerns both 2D & 3D.</small>							