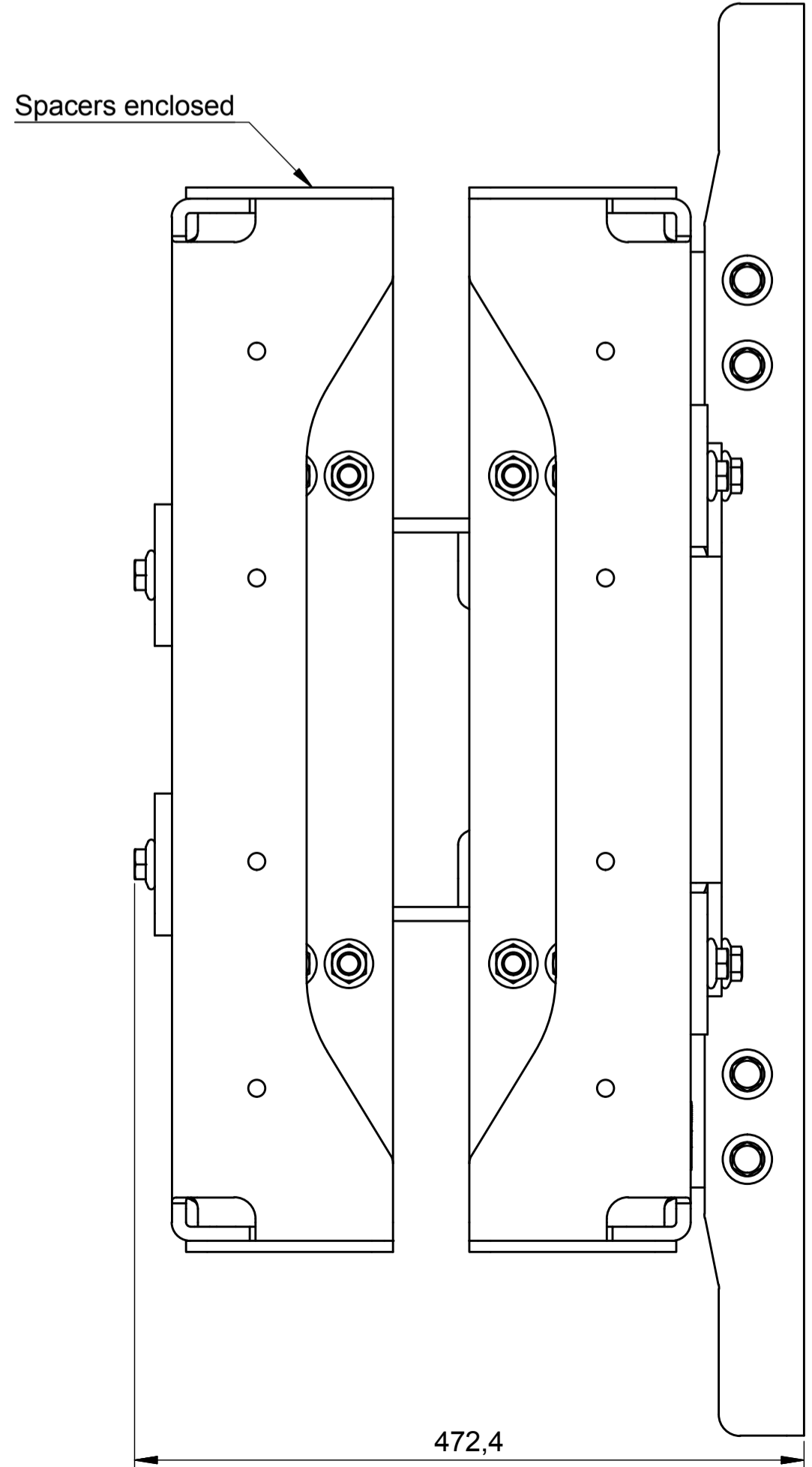
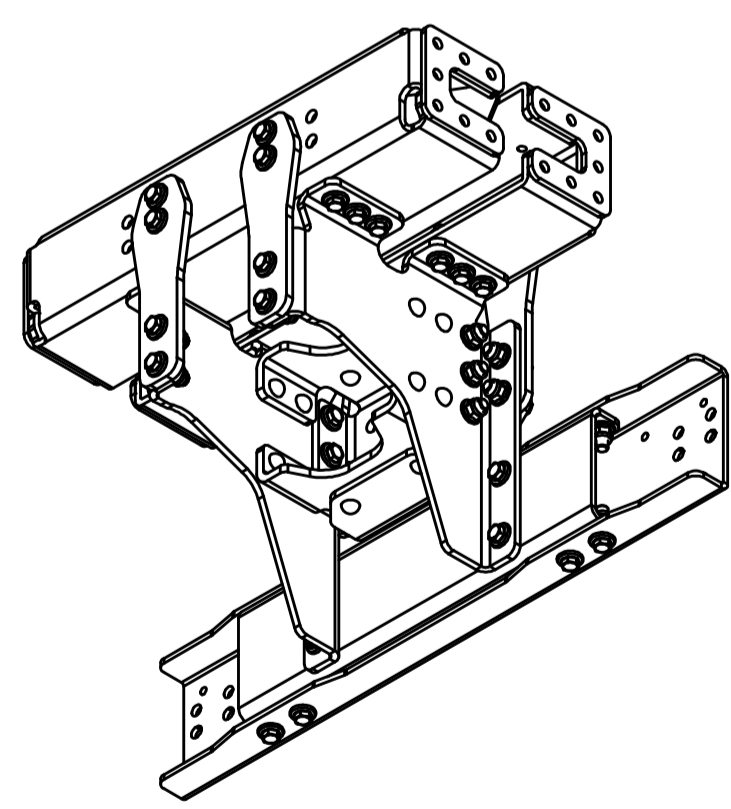
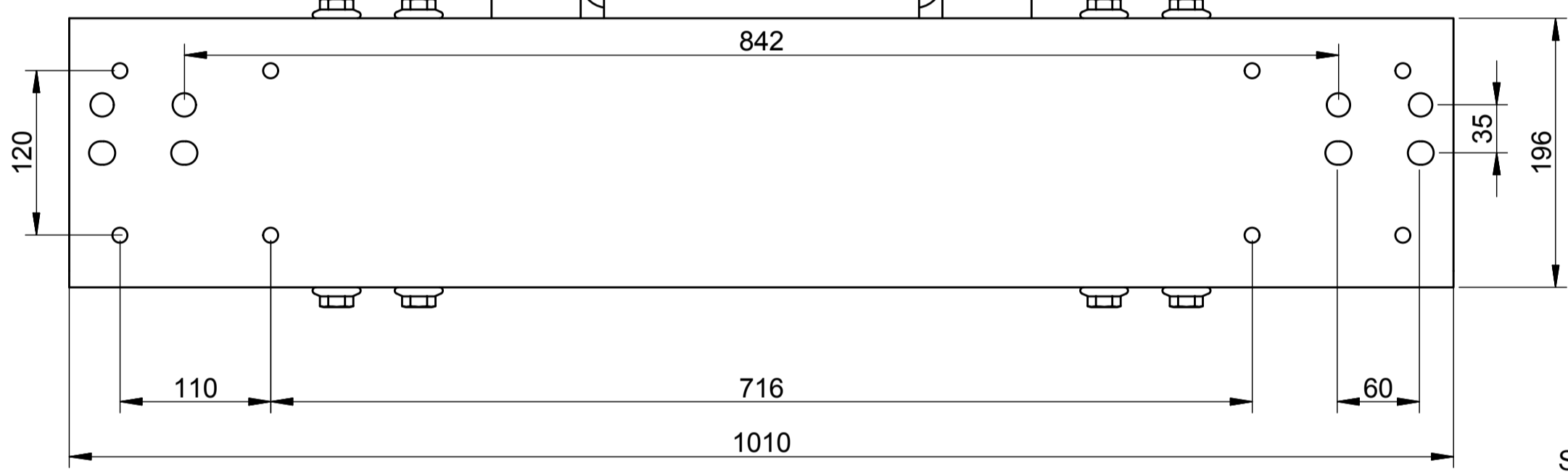
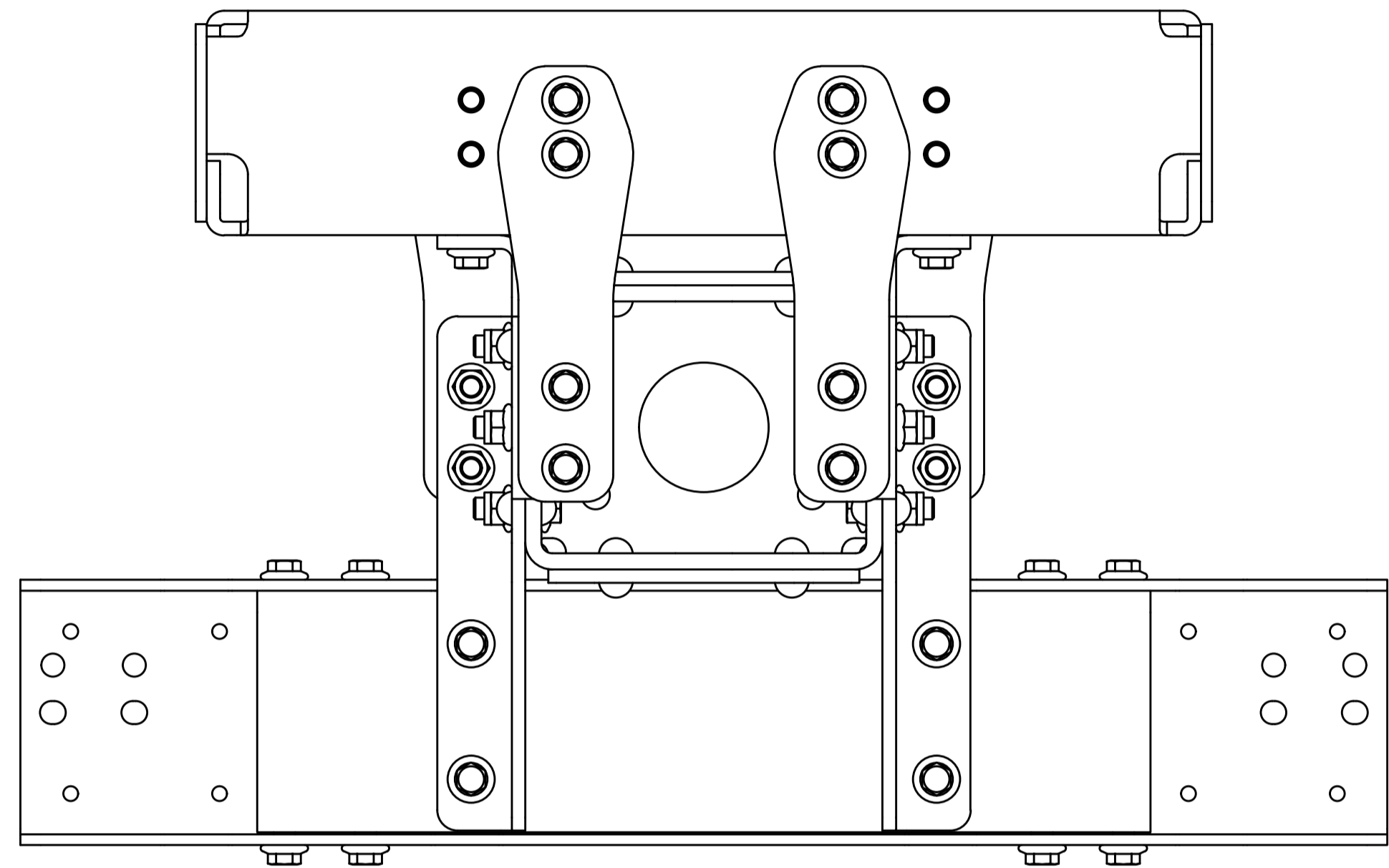
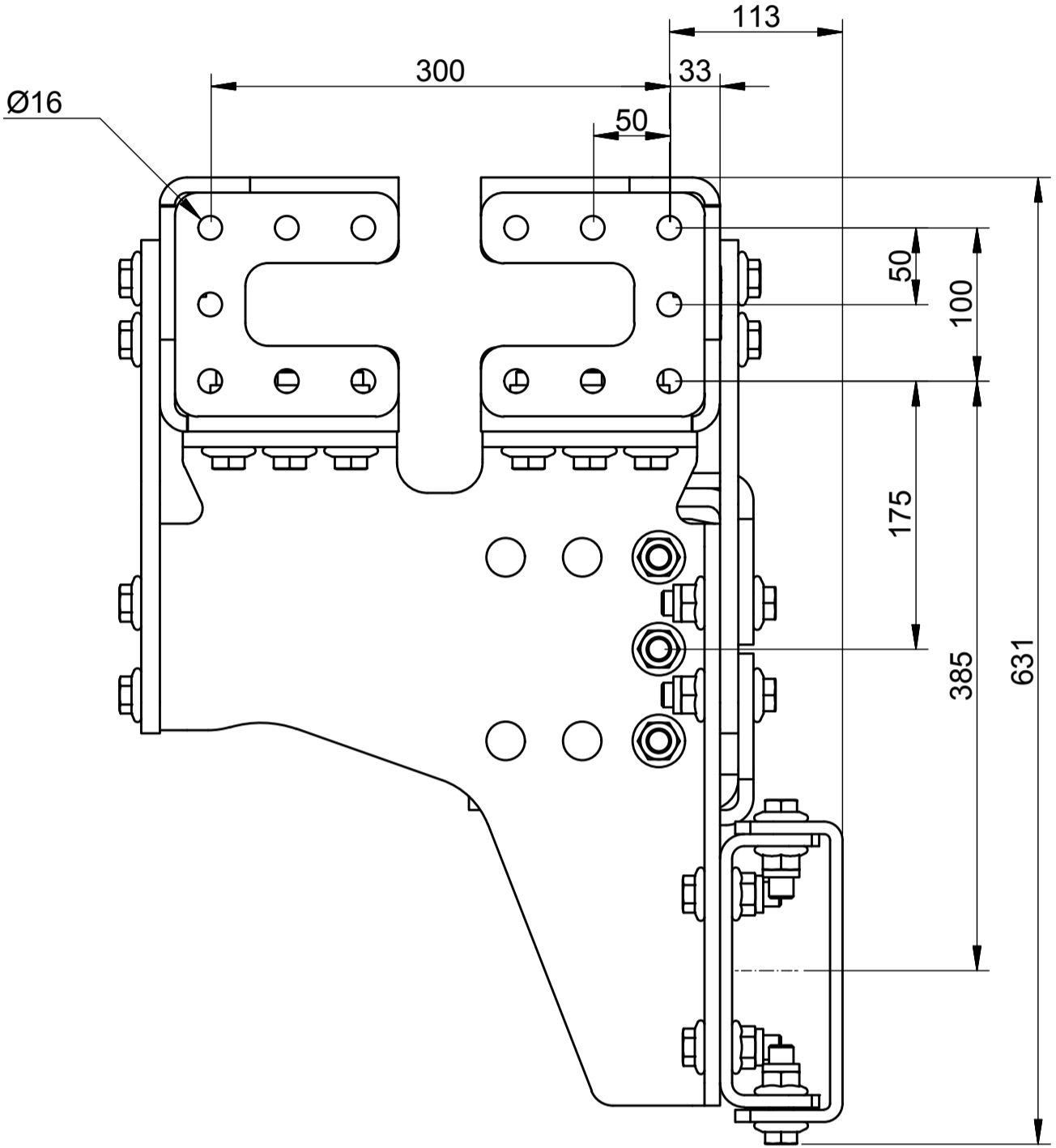
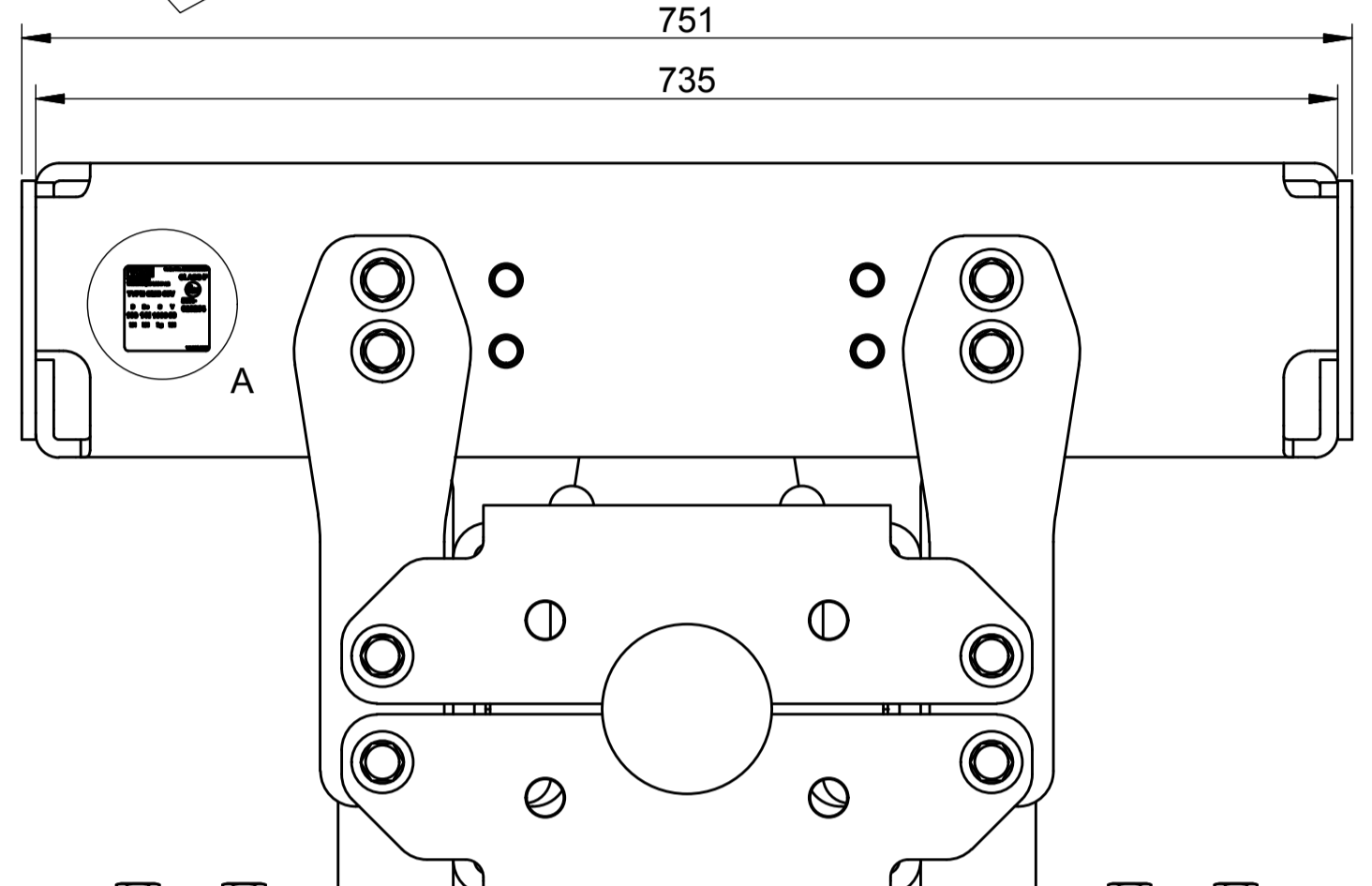
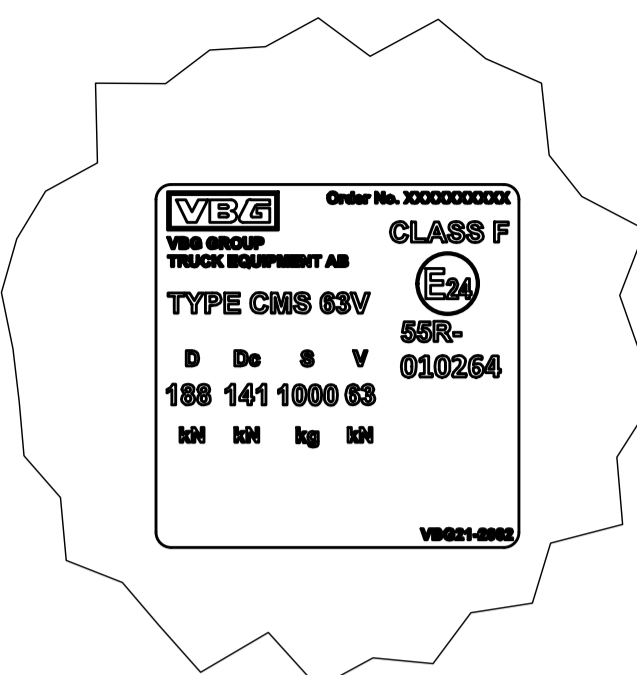


1 2 3 4 5 6 7 8 9 10 11 12

A
B
C
D
E
F
G
H

A
B
C
D
E
F
G
H

A(1:1)



VBG GROUP		Modified Date 2017-03-22	Modified by PR	Modification No. 12880	Issue C
Description CMS 63V EU SCANIA		3D Model No. 21-206200	Engineer SJ	Checked by SJ	Drafted by SJ
Sheet No. A1	Total No. of Sheets 1 : 4	Production P	Drawing Date 2011-11-30	Drawing No. 21-206200 (F) INFO	
<small>This drawing is the property of VBG Group AB and is protected in accordance with prevailing law. Changes must be made in CAD program, this concerns both 2D & 3D.</small>					

1 2 3 4 5 6 7 8 9 10 11 12