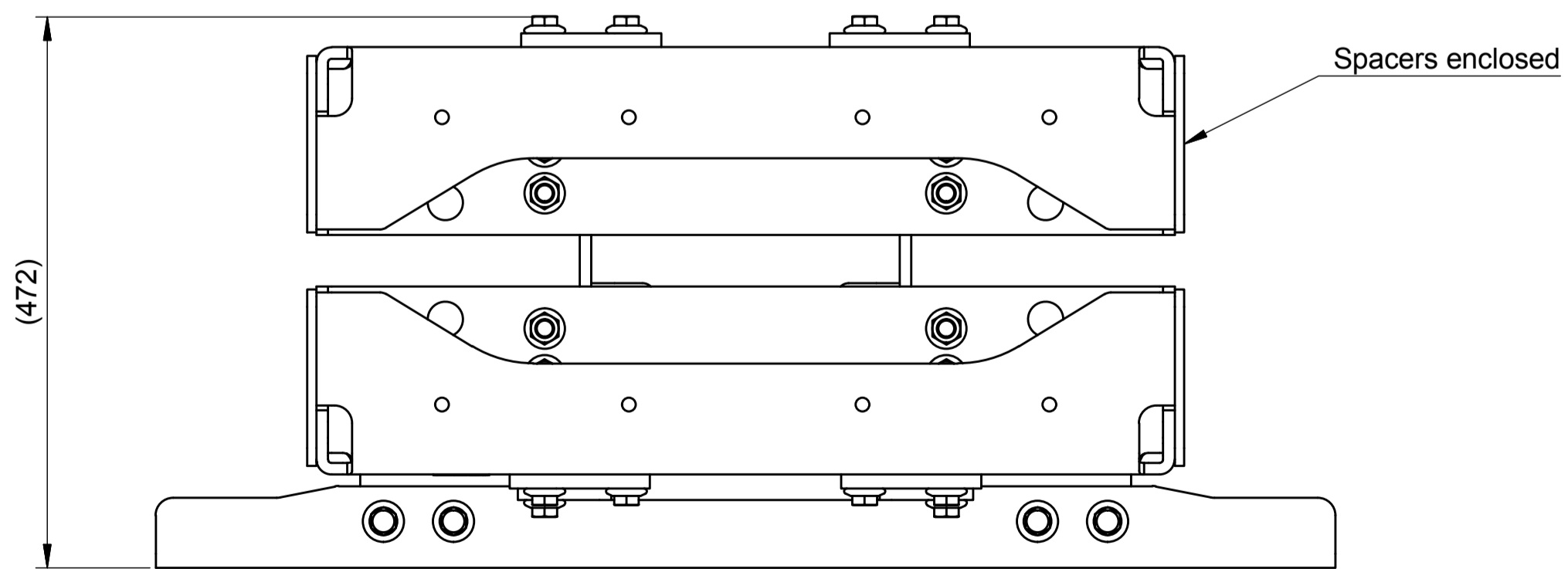
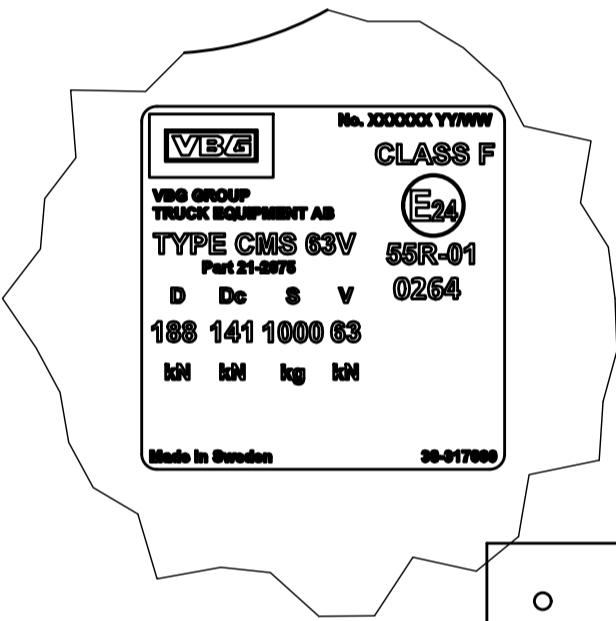


A (1:1)



<b>VBG GROUP</b>		Modified Date	Modified by	Modification No.	Issue
Description		2018-03-21	PR	13061	a
CMS 63V EU Scania		3D Model No.	21-207500	Engineer	SJ
Sheet	Scale	Production	Drawing Date	Checked by	
A1	1:5	2015-02-05	SJ		
Stage	Drawing No.	P 21-207500 (F) INFO			
<small>This drawing is the property of VBG Group AB and is protected in accordance with prevailing law. Changes must be made in CAD program. This concerns both 2D &amp; 3D.</small>					