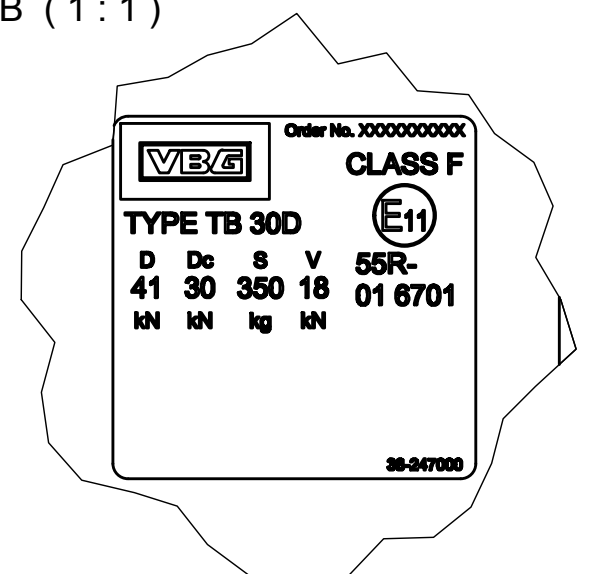
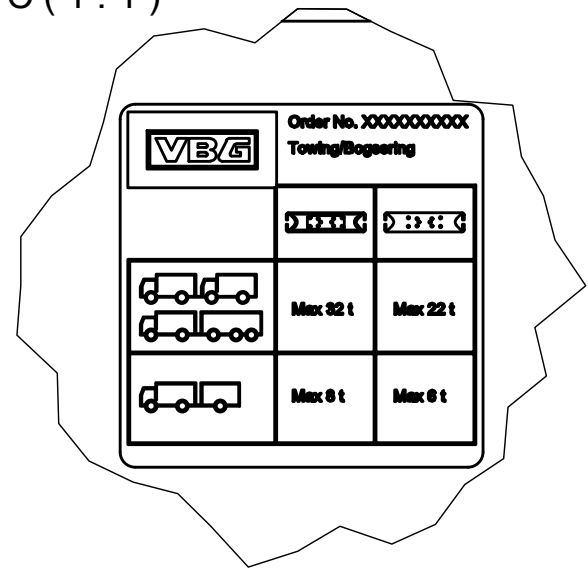


B (1:1)



Type plate 38-247000 included in reinforcement kit

C (1:1)



Drawbeam length	A
850	849
834	833
770	769
752	751

<b>VBG GROUP</b>	Modified Date	2016-08-16	Modified by	SN	Modification No.	12796	Issue	d		
	3D Model No.	21-165200			Engineer	OA				
	Description	TB 30 D								
	Sheet Size	A3	Scale	1:4	Projection		Drafting Date	2006-02-15	Drafted by	SN
	Stage	P	Drawing No.	21-165200 (F) INFO						
<small>This drawing is the property of VBG Group AB and is protected in accordance with prevailing law. Changes must be made in CAD-program, this concerns both 2D &amp; 3D.</small>										