

A (1:1)

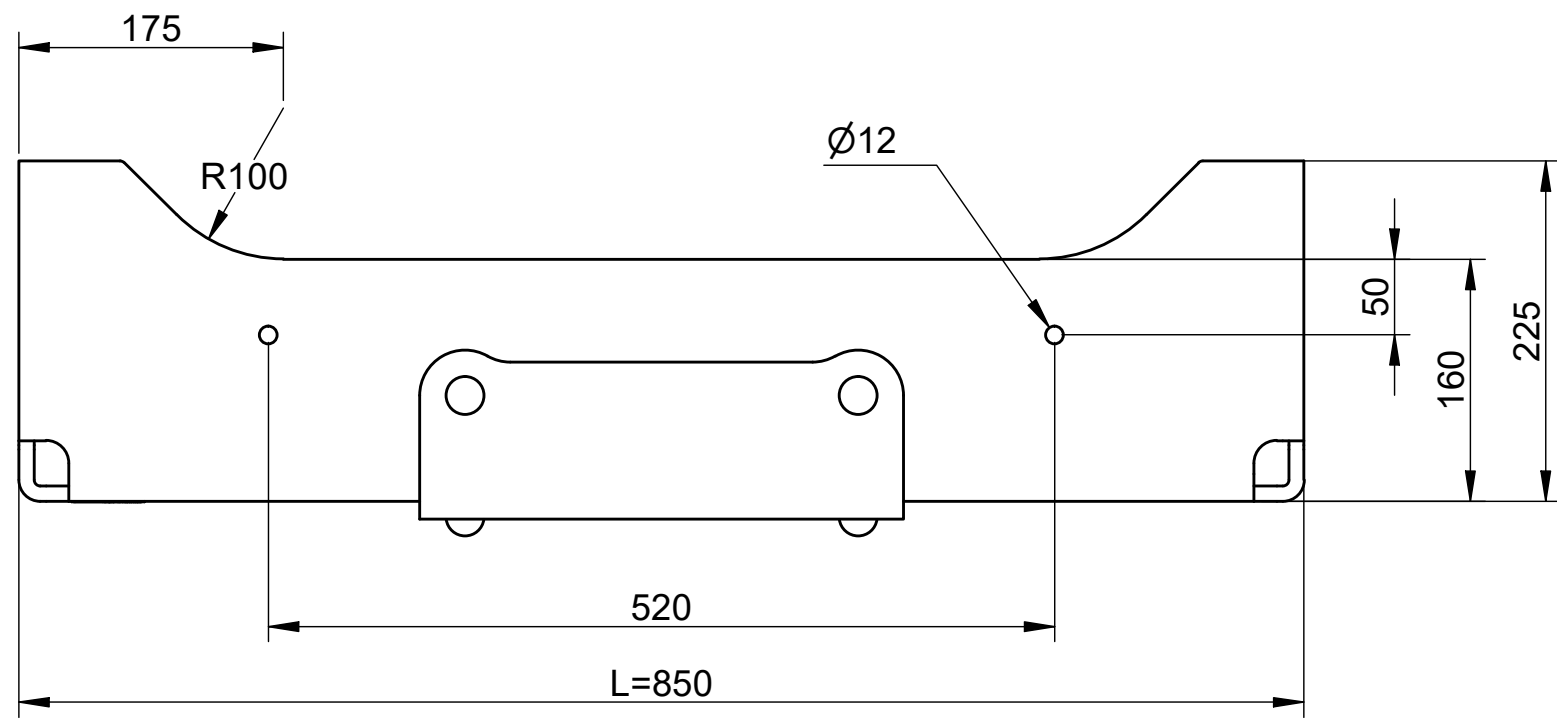
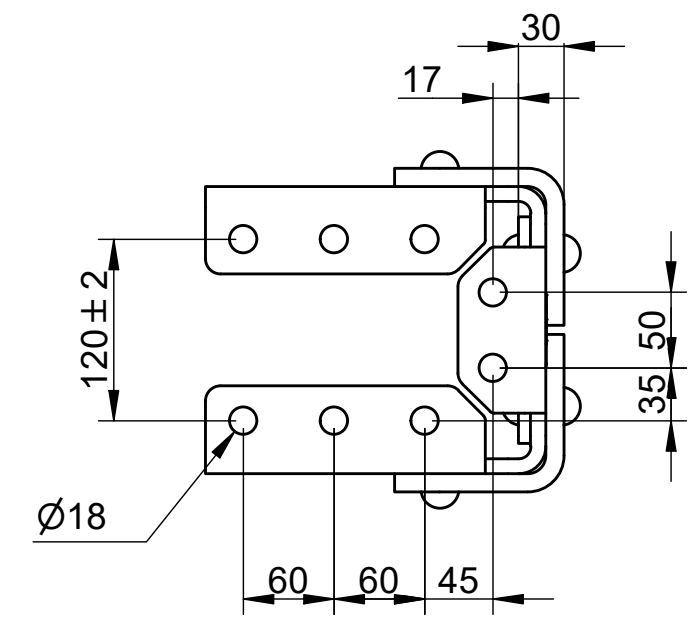
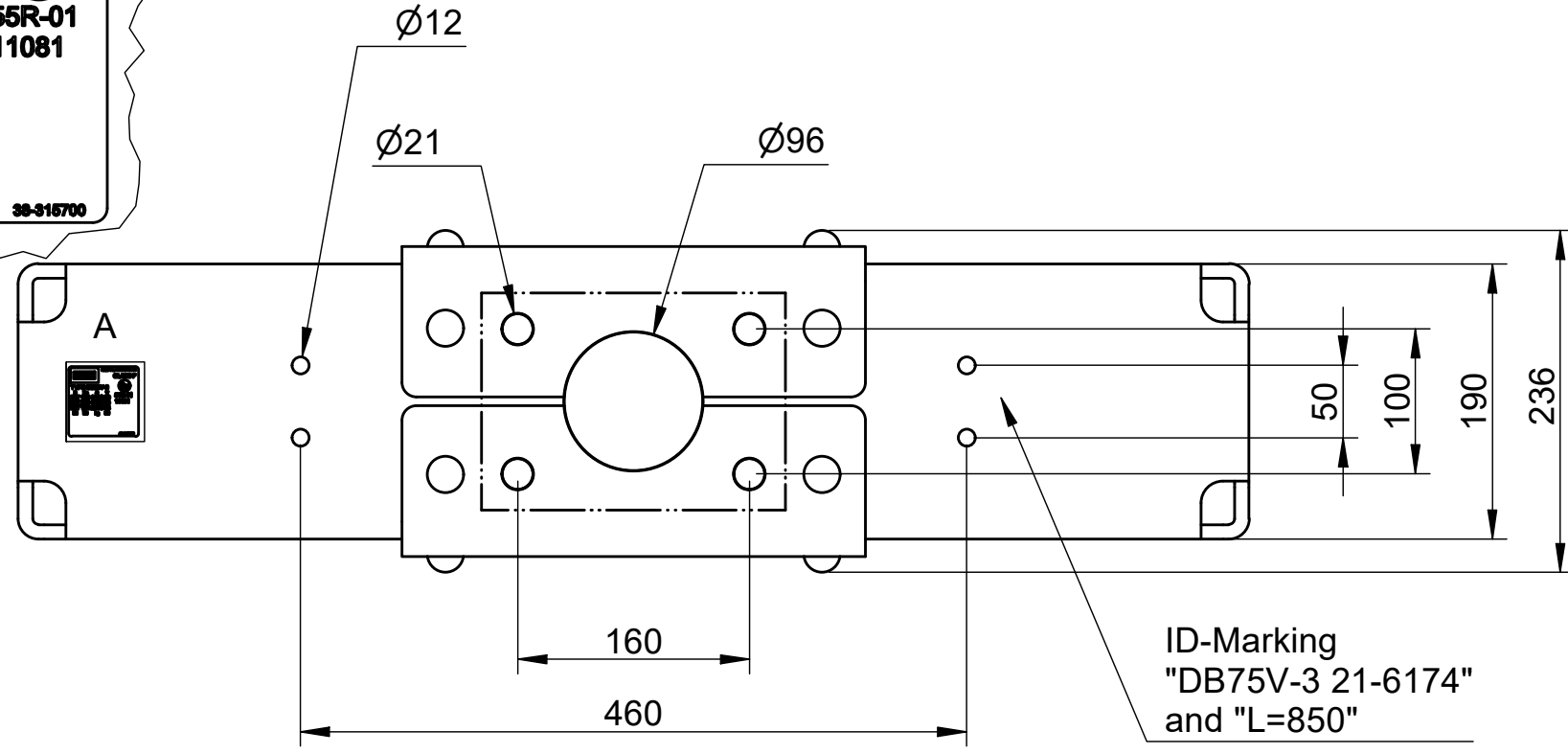
Order No. X00000000X

VBG CLASS F

TYPE DB75V-3 (E11)

D	Dc	S	V	55R-01
247	150	1000	80	11081
247	200	1000	35	
247	150	2000	63	
kN	kN	kg	kN	

38-315700



ID-Marking
"DB75V-3 21-6174"
and "L=850"

Dimensions for information only - do not scale

VBG GROUP		Modified Date	Modified by	Modification No.	Issue
		2024-02-22	JE	14003	a
Description DB75V-3, L=850		3D Model No.		Engineer	
		21-809600		SJ	
Sheet Size	Scale	Projection	Drafting Date	Drafted by	
A3	1:5		2017-03-27	SJ	
Stage	Drawing No.				
P	21-809600 (F) INFO				
This drawing is the property of VBG Group AB and is protected in accordance with prevailing law. Changes must be made in CAD-program, this concerns both 2D & 3D.					